



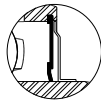
UEFT 200 SERIES

Normal-Duty 2 Bolt Flange Block
Tru-Loc

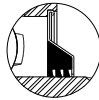
TURNER

Mounted Bearings

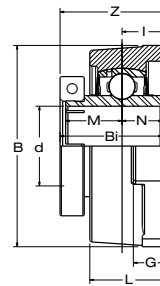
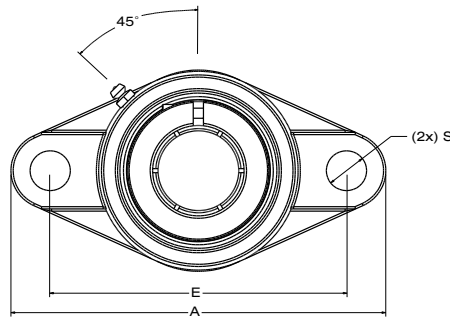
Available Seal Styles:



Standard



L3



Bearing Number	Shaft Dia. d in. mm.	Dimensions in. mm.											Bolt Used in. mm.	Load Rating lbs. kN.		Bearing Insert	Housing Number	Weight lbs. kg.
		A	E	I	G	L	S	B	Z	Bi	N	M		Dynamic C _r	Static C _{0r}			
UEFT 204-12	3/4	4.41	3.531	0.56	0.44	0.98	0.39	2.38	1.38	1.2992	0.5000	0.7205	5/16	2,883	1,496	UE 204-12	FT 204	1.1
UEFT 204	20	112.0	89.7	14.3	11.0	25.0	10.0	60.0	34.6	33.0	12.7	18.3	M8	12.82	6.65	UE 204		0.5
UEFT 205-14	7/8	4.88	3.891	0.63	0.50	1.06	0.47	2.75	1.44	1.3937	0.5630	0.7795	3/8	3,155	1,810	UE 205-14	FT 205	1.5
UEFT 205-15	15/16															UE 205-15		
UEFT 205	25	124.0	98.8	15.9	13.0	27.0	12.0	70.0	37.0	35.4	14.3	19.8	M10	14.04	8.05	UE 205		
UEFT 205-16	1	5.56	4.594	0.70	0.50	1.18	0.47	3.25	1.66	1.5669	0.6260	0.8740	3/8	4,377	2,569	UE 205-16	FT 206	2.0
UEFT 206-17	1 1/16															UE 206-17		
UEFT 206-18	1 1/8	141.0	116.7	17.9	13.0	30.0	12.0	83.0	41.8	39.8	15.9	22.2	M10	19.47	11.43	UE 206-18		
UEFT 206	30	6.13	5.125	0.75	0.56	1.34	0.51	3.75	1.78	1.7283	0.6890	1.0000	7/16	5,775	3,497	UE 206-19	FT 207	2.9
UEFT 206-19	1 3/16															UE 206-19		
UEFT 206-20	1 1/4	156.0	130.2	19.1	14.0	34.0	13.0	95.0	45.5	43.9	17.5	25.4	M12	25.69	15.56	UE 206-20		
UEFT 207-20	1 1/4	6.75	5.656	0.83	0.56	1.50	0.51	4.13	2.06	1.9764	0.7480	1.1890	7/16	6,634	4,079	UE 207-20	FT 208	3.3
UEFT 207-21	1 5/16															UE 207-21		
UEFT 207-22	1 3/8	171.0	143.7	21.0	14.0	38.0	13.0	105.0	52.2	50.2	19.0	30.2	M12	29.51	18.14	UE 207-22		
UEFT 207	35	7.04	5.844	0.86	0.56	1.56	0.59	4.38	2.09	1.9764	0.7480	1.1890	1/2	7,160	4,676	UE 207-23	FT 209	3.7
UEFT 207-23	1 7/16															UE 207-23		
UEFT 207-24	1 1/2	179.0	148.4	21.8	14.0	40.0	15.0	111.0	53.0	50.2	19.0	30.2	M14	31.85	20.80	UE 207-24		
UEFT 208-24	1 1/2	8.50	7.250	1.00	0.83	1.75	0.64	5.25	2.34	2.2283	0.8740	1.3150	9/16	9,743	6,608	UE 208-24	FT 210	5.1
UEFT 208-25	1 9/16															UE 208-25		
UEFT 208	40	189.0	157.2	22.2	14.0	40.0	16.0	116.0	55.8	52.6	19.0	32.6	M14	35.00	23.71	UE 208-25		
UEFT 209-26	1 5/8	8.50	7.250	1.00	0.83	1.75	0.64	5.25	2.34	2.2283	0.8740	1.3150	9/16	9,743	6,608	UE 209-26	FT 211	6.2
UEFT 209-27	1 11/16															UE 209-27		
UEFT 209-28	1 3/4	216.0	184.2	25.4	21.0	44.0	16.3	133.0	59.8	56.6	22.2	33.4	M16	43.34	29.40	UE 209-28		
UEFT 209	45	9.84	7.938	1.13	0.71	1.88	0.91	5.50	2.75	2.6220	1.0000	1.5630	3/4	10,720	7,516	UE 209-29	FT 212	9.5
UEFT 210-30	1 7/8															UE 210-30		
UEFT 210-31	1 15/16	250.0	201.6	29.0	18.0	48.0	23.0	140.0	70.2	66.6	25.4	39.7	M20	47.69	33.43	UE 210-31		
UEFT 210	50	8.50	7.250	1.00	0.83	1.75	0.64	5.25	2.34	2.2283	0.8740	1.3150	9/16	9,743	6,608	UE 210-32	FT 212	9.5
UEFT 210-32	2															UE 210-32		
UEFT 211-32	2	216.0	184.2	25.4	21.0	44.0	16.3	133.0	59.8	56.6	22.2	33.4	M16	43.34	29.40	UE 211-32		
UEFT 211-34	2 1/8	9.84	7.938	1.13	0.71	1.88	0.91	5.50	2.75	2.6220	1.0000	1.5630	3/4	10,720	7,516	UE 211-34	FT 212	9.5
UEFT 211	55															UE 211-34		
UEFT 211-35	2 3/16	250.0	201.6	29.0	18.0	48.0	23.0	140.0	70.2	66.6	25.4	39.7	M20	47.69	33.43	UE 211-35		
UEFT 212-36	2 1/4	9.84	7.938	1.13	0.71	1.88	0.91	5.50	2.75	2.6220	1.0000	1.5630	3/4	10,720	7,516	UE 212-36	FT 212	9.5
UEFT 212	60															UE 212-36		
UEFT 212-38	2 3/8	250.0	201.6	29.0	18.0	48.0	23.0	140.0	70.2	66.6	25.4	39.7	M20	47.69	33.43	UE 212-38		
UEFT 212-39	2 7/16	9.84	7.938	1.13	0.71	1.88	0.91	5.50	2.75	2.6220	1.0000	1.5630	3/4	10,720	7,516	UE 212-39	FT 212	9.5
UEFT 212	60															UE 212-39		